

STRASSENLEUCHE STRL-LED24-24 (24V DC Version)



TDE Instruments GmbH
Postanschrift: Postfach 1215, 71141 Steinenbronn
Hausanschrift: Gewerbestraße 8, 71144 Steinenbronn

Tel.: +49(0)7157-20801
Fax: +49(0)7157-20813
Email: info@tde-instruments.de
Web: www.tde-instruments.de

Geschäftsführer: Dipl. Ing. Klaus-Dieter Seidel
Handelsregister: Registergericht Stuttgart, HRB 737016
USt.-IdNr.: DE276660300

24W STREET LIGHT

Product Series

model number	color temperature	Power consumption	Input Voltage
PL52BH	5200K	26W	12Vdc or 24Vdc
PL32BH	3000K	26W	12Vdc or 24Vdc

Applications & Purpose

Area: Outdoor.
Purpose: Alley Lighting, Park Lighting, Solar Lighting, Street Lighting.

Specifications

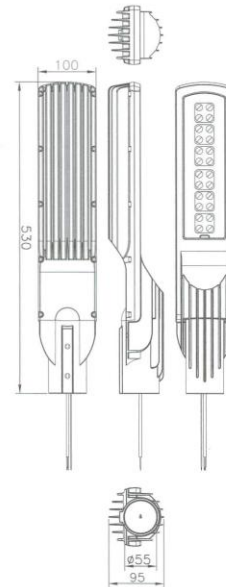
- Outline Dimension: 530 (L) x 100 (W) X 95 (H) mm
- LED Light Source: 1W x 24 ea
- Color Temperature: 5200±400 K / 3000±300 K
- Input Voltage: 12Vdc or 24Vdc
- Total lumen: 1789/ 1430 lm
- Total Power: 26W
- Operation Temperature: -30°C-50°C
- IP Rating: IP65
- Net Weight: 2.1kg
- Hole size (Max. Diameter): < 55mm

Packaging Information

Packing: 1pcs./box		
box	655x160x150(mm)	2.8kg

Optical Performance

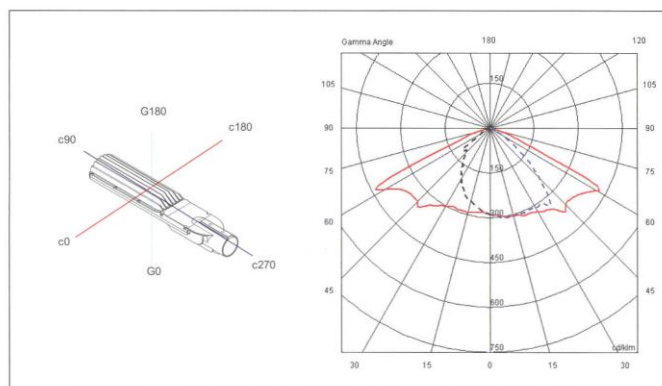
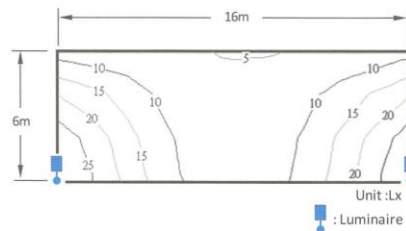
CCT	Model Number	Lumens(typ.)
5200±400K	PL52BH	1789
3000±300K	PL32BH	1430



Roadway Surface illuminance distribution at 4m Height

Road width: 6 m
Pole pitch: 16 m
Mounting height: 4 m
Install inclined angle: 15 degree

24Watt, 1789 Lm, 5200K	
Max.	27 Lx
Avg.	13 Lx
Min.	5.4 Lx
Uniformity(Min./Avg.)	0.43



TDE Ir
Postar
Hausa

Tel.: +49(0)7157-20801
Fax: +49(0)7157-20813
Email: info@tde-instruments.de
Web: www.tde-instruments.de

Geschäftsführer: Dipl. Ing. Klaus-Dieter Seidel
Handelsregister: Registergericht Stuttgart, HRB 737016
USt.-IdNr.: DE276660300